

Enclosed Power Supply Series

NE 50 Series

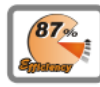


www.seasonic.com



Features:

- Universal AC input / Full range
- High efficiency Max. 87%
- Protections: short circuit / Overload / Over voltage
- High reliable Japanese brand 105°C aluminum electrolytic capacitors
- Miniature size design
- LED indicator for power on
- Flexible voltage adjustment by VR
- Safety & EMI: c UL/CB/CE/FCC

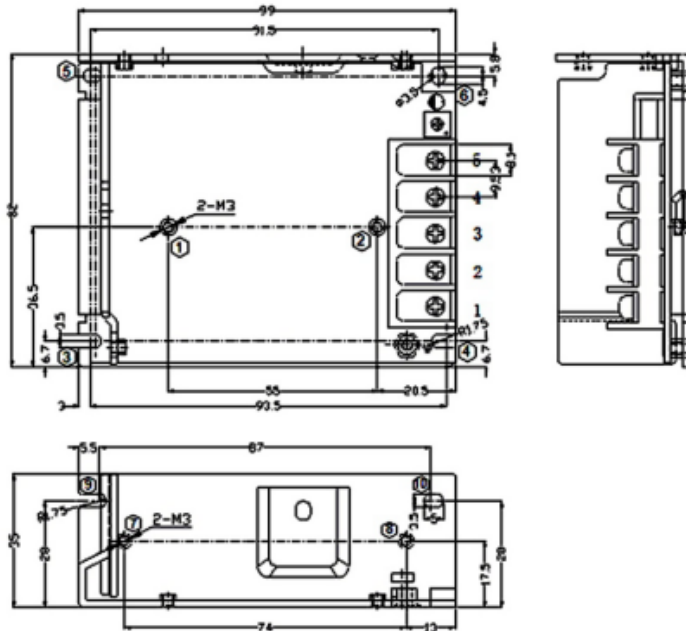


Output Specifications:

Specification		SSE-0501 NE-12	SSE-0501 NE-24
Model			
1.DC Output Voltage	V	12	24
2.DC Maximum Load	A	4.2	2.2
3.Total DC Output	W	50.4	52.8
4.Efficiency at 115/230V	%	82.5/84.5	85/87
5.AC Input Voltage	V	AC 90~264(47~63Hz)	
6.AC Input Current at 115/230V	A	<1.5	
7.Voltage Adjusting Range	V	11.4~13.2	22.8~26.4
8.Ripple & Noise	mV	120	200
9.Working Temperature	°C	-25°C to 70°C	
10.Cooler Type		Free air convection	
11.Dimensions (LxWxH)	mm	L99XW82XH35	

Dimension:

L99 × W82 × H35mm



Specification may change without prior notice.

Sea Sonic Electronics Co., Ltd.
 www.seasonic.com
 sales@seasonic.com.tw
 Tel: +886 2 2659 0338
 Fax: +886 2 2659 0530

Seasonic Electronics Inc.
 www.seasonicusa.com
 usa@seasonic.com
 Tel: +1 626 969 9966
 Fax: +1 626 969 9986

Sea Sonic Europe B.V.
 info@seasonic.eu.com

Seasonic Japan
 japan@seasonic.com
 Tel: +81 3 6805-4085

